



八、2H系列双吸双螺杆泵 2H Series double-absorb twin screw pump

本产品是一种中、大规格双吸双螺杆泵，有短轴内置轴承（E型）、中轴外置轴承（M型）及长轴外置轴承（R型）三种形式，及带与不带加热室、安全阀二种配置型式。外置轴承型的轴承腔与泵腔用机械密封及骨架油封或填料隔开，密封性好。本产品具有流量大，自吸性能好，噪声低，寿命长，配置型式多，适应性广等优点。

The product is a kind of middle and large double suction double screw pump with two construction forms i.e. With inbuilt bearing or bearing, and with two outfit types i.e. With or without heating chamber and safety valve. The bearing bore and pump bore of external bearing type are separated by mechanical seal and skeleton oil seal. Type are of good seal tightness. The product possesses large flux, good self-suction performance, low noise and long service life.

1、2H^E_M_R 双螺杆泵汽蚀余量表 NPSHr table of pump

型号 Size	转速 Speed n=950r/min						转速 Speed n=1450r/min					
	粘度 Viscosity mm ² /s						粘度 Viscosity mm ² /s					
	≤35	75	150	350	750	1500	≤35	75	150	350	750	1500
必需汽蚀余量 NPSHr(m)												
280-20、28	1.6	1.6	1.6	1.6	1.6	1.6	1.6	1.6	1.7	1.7	1.7	1.8
280-40、56	1.7	1.7	1.7	1.8	1.8	1.9	1.9	1.9	2.0	2.0	2.1	2.3
560-25、34	1.6	1.6	1.6	1.7	1.7	1.7	1.7	1.7	1.7	1.8	1.8	1.9
560-50、72	1.8	1.8	1.8	1.9	2.0	2.1	2.1	2.1	2.2	2.3	2.4	2.6
800-30、40	1.6	1.7	1.7	1.7	1.8	1.8	1.8	1.8	1.8	1.9	1.9	2.0
800-60、80	1.9	1.9	2.0	2.0	2.1	2.3	2.2	2.3	2.4	2.6	2.7	3.0
1400-38、50	1.7	1.7	1.7	1.8	1.8	1.9	1.9	1.9	1.9	2.0	2.1	2.2
1400-75、96	2.0	2.1	2.2	2.3	2.4	2.6	2.6	2.7	2.8	3.0	3.3	3.6
2500-43、56	1.7	1.8	1.8	1.8	1.9	2.0	1.9	2.0	2.0	2.1	2.2	2.4
2500-85、112	2.2	2.2	2.3	2.4	2.6	2.8	2.8	3.0	3.1	3.4	3.7	4.1
4200-50、67	1.8	1.8	1.8	1.9	2.0	2.1	2.1	2.1	2.2	2.3	2.4	2.6
4200-100、128	2.4	2.4	2.5	2.7	2.9	3.2	3.3	3.4	3.6	4.0	4.0	4.8
7000-80、100	1.8	1.8	1.8	1.9	2.0	2.1	2.1	2.1	2.2	2.3	2.4	2.6
7000-128、150	2.4	2.4	2.5	2.7	2.9	3.2	3.3	3.4	3.6	4.0	4.0	4.8
9800-80、100	2.1	2.2	2.2	2.4	2.5	2.7	2.7	2.8	2.9	3.2	3.5	3.8
9800-128、150	2.5	2.6	2.8	3.0	3.2	3.5	3.7	3.8	4.1	4.5	4.9	5.5
9800-144、160	3.1	3.2	3.4	3.7	4.1	4.5	4.8	5.1	5.4	6.1	6.7	7.6
18000-128、160	2.0	2.0	2.2	2.2	2.5	2.5	2.2	2.2	2.5	2.5	3.0	3.0
18000-176、192、250	2.4	2.4	2.6	2.6	3.0	3.0	2.5	2.5	3.0	3.0	3.5	3.8

2、2H_M^E系列双螺杆泵性能表 Series characteristic table

转速 Speed n=1450r/min

规格 Size	压力 (MPa) Pressure	运动粘度 Viscosity mm ² /s															
		1		15		35		75		150		350		750		1500	
		流量 (M ³ /h) Flux	功率 (Kw) Power	流量 (M ³ /h) Flux	功率 (Kw) Power	流量 (M ³ /h) Flux	功率 (Kw) Power	流量 (M ³ /h) Flux	功率 (Kw) Power	流量 (M ³ /h) Flux	功率 (Kw) Power	流量 (M ³ /h) Flux	功率 (Kw) Power	流量 (M ³ /h) Flux	功率 (Kw) Power	流量 (M ³ /h) Flux	功率 (Kw) Power
280-20	2	7.7	1.7	8.0	2.0	8.2	2.5	8.4	3.0	8.5	3.6	8.6	4.6	8.7	5.8	8.8	6.1
	4	6.9	2.2	7.4	2.6	7.7	3.0	8.0	3.5	8.2	4.2	8.4	5.2	8.5	6.4	8.6	7.1
	6	6.1	2.7	6.8	3.1	7.2	3.5	7.7	4.1	7.9	4.7	8.2	5.7	8.4	6.9	8.5	7.7
	8	5.4	3.2	6.3	3.6	6.9	4.0	7.3	4.6	7.7	5.2	8.0	6.2	8.2	7.4	8.4	8.2
	10	4.8	3.8	5.8	4.1	6.5	4.6	7.0	5.1	7.4	5.7	7.8	6.7	8.1	7.9	8.3	8.7
	12	4.3	4.5	5.4	4.7	6.1	5.1	6.8	5.6	7.2	6.3	7.6	7.3	7.9	8.5	8.2	9.2
	14	3.9	5.3	4.9	5.2	5.8	5.6	6.5	6.2	7.0	6.8	7.5	7.8	7.8	9.0	8.0	9.8
	16	3.2	5.1	4.5	5.7	5.6	6.1	6.3	6.7	6.9	7.3	7.4	8.3	7.7	9.5	8.0	10.3
	18	2.5	6.0	4.2	6.3	5.4	6.7	6.1	7.2	6.7	7.8	7.2	8.8	7.6	10.0	7.9	10.8
	20			3.8	7.0	5.1	7.3	5.9	7.7	6.5	8.4	7.1	9.4	7.5	10.6	7.8	11.3
	22					4.7	7.8	5.7	8.3	6.3	8.9	7.0	9.9	7.4	11.1	7.7	11.9
24							5.5	8.9	6.1	9.5	6.8	10.4	7.3	11.6	7.7	12.4	
280-28	2	10.5	1.9	10.9	2.3	11.2	2.8	11.4	3.3	11.5	4.0	11.7	5.1	11.8	6.4	11.9	7.2
	4	9.4	2.7	10.0	3.1	10.5	3.5	10.9	4.1	11.1	4.8	11.4	5.8	11.6	7.1	11.7	7.9
	6	8.4	3.4	9.3	3.8	9.9	4.2	10.4	4.8	10.8	5.5	11.1	6.5	11.3	7.8	11.5	8.6
	8	7.5	4.1	8.6	4.5	9.3	4.9	10.0	5.5	10.4	6.2	10.8	7.2	11.1	8.5	11.3	9.4
	10	6.7	4.9	8.0	5.2	8.8	5.6	9.6	6.2	10.1	6.9	10.6	8.0	11.0	9.2	11.2	10.1
	12	6.0	5.8	7.3	5.9	8.3	6.3	9.2	6.9	9.8	7.6	10.4	8.7	10.8	9.9	11.1	10.8
	14	5.1	6.2	6.8	6.7	7.9	7.0	8.8	7.6	9.5	8.3	10.2	9.4	10.6	10.7	10.9	11.5
	16			6.4	7.6	7.5	7.7	8.6	8.3	9.4	9.0	10.0	10.1	10.5	11.4	10.9	12.2
	18					7.0	8.5	8.4	9.1	9.1	9.7	9.9	10.8	10.4	12.1	10.7	12.9
	20							7.8	9.7	8.9	10.4	9.7	11.5	10.2	12.8	10.6	13.6
280-40	2	15.9	2.4	16.4	2.8	16.7	3.2	17.0	3.9	17.2	4.6	17.4	5.7	17.5	7.1	17.6	8.0
	4	14.4	3.4	15.3	3.8	15.9	4.3	16.3	4.9	16.7	5.7	17.0	6.8	17.2	8.1	17.3	9.0
	6	13.2	4.5	14.4	4.9	15.1	5.3	15.7	6.0	16.2	6.7	16.6	7.8	16.9	9.2	17.1	10.1
	8	12.1	5.5	13.5	5.9	14.4	6.4	15.2	7.0	15.8	7.8	16.3	8.9	16.7	10.2	16.9	11.1
	10			12.7	7.0	13.8	7.4	14.7	8.0	15.4	8.8	16.0	9.9	16.4	11.3	16.7	12.2
	12					13.2	8.5	14.2	9.1	15.0	9.8	15.7	11.0	16.2	12.3	16.6	13.2
	14							13.8	10.2	14.6	10.9	15.4	12.0	16.0	13.4	16.4	14.3
	16									14.4	11.9	15.3	13.1	15.9	14.4	16.3	15.3
280-56	2	22.3	2.9	23.0	3.4	23.4	3.9	23.8	4.6	24.1	5.4	24.3	6.7	24.5	8.2	24.6	9.1
	4	20.3	4.4	21.5	4.9	22.3	5.4	22.9	6.1	23.4	6.9	23.8	8.1	24.1	9.6	24.3	10.6
	6			20.2	6.3	21.3	6.8	22.1	7.5	22.7	8.3	23.3	9.6	23.7	11.1	24.0	12.1
	8							21.4	9.0	22.2	9.8	22.9	11.1	23.4	12.6	23.7	13.6
	10									21.6	11.3	22.5	12.5	23.1	14.0	23.5	15.0
560-25	2	15.5	2.5	16.1	3.0	16.4	3.6	16.7	4.3	16.9	5.1	17.1	6.4	17.3	8.0	17.4	9.0
	4	14.0	3.6	14.9	4.1	15.5	4.6	16.0	5.3	16.4	6.1	16.7	7.4	17.0	9.0	17.1	10.0
	6	12.7	4.6	13.9	5.1	14.7	5.6	15.4	6.3	15.9	7.2	16.3	8.4	16.7	10.0	16.9	11.1
	8	11.5	5.7	13.0	6.1	14.0	6.7	14.8	7.4	15.4	8.2	16.0	9.5	16.4	11.1	16.7	12.1
	10	10.3	6.7	12.1	7.1	13.3	7.7	14.3	8.4	15.0	9.3	15.7	10.6	16.1	12.1	16.5	13.1
	12	9.2	7.7	11.3	8.2	12.7	8.7	13.8	9.5	14.6	10.3	15.4	11.6	15.9	13.2	16.3	14.2
	14	8.2	8.8	10.5	9.2	12.0	9.8	13.3	10.5	14.2	11.3	15.1	12.6	15.7	14.2	16.1	15.2
	16	7.3	10.1	9.7	10.3	11.7	10.8	13.0	11.5	14.0	12.4	14.9	13.7	15.6	15.2	16.0	16.3
	18			8.9	11.5	11.1	11.9	12.6	12.6	13.7	13.4	14.7	14.7	15.4	16.3	15.9	17.3
	20					10.6	12.9	12.2	13.6	13.4	14.5	14.4	15.8	15.2	17.3	15.7	18.3
	22							11.8	14.7	13.0	15.5	14.2	16.8	15.0	18.3	15.6	19.4
24							11.4	15.7	12.7	16.5	13.9	17.8	14.8	19.4	15.4	20.4	



转速 Speed n=1450r/min

规格 Size	压力 ΔP bar	粘度 Viscosity (mm ² /s)															
		1		15		35		75		150		350		750		1500	
		流量 m ³ /h	功率 KW	流量 m ³ /h	功率 KW	流量 m ³ /h	功率 KW	流量 m ³ /h	功率 KW	流量 m ³ /h	功率 KW	流量 m ³ /h	功率 KW	流量 m ³ /h	功率 KW	流量 m ³ /h	功率 KW
560-34	2	21.6	3.1	22.2	3.6	22.7	4.2	23.0	5.0	23.3	5.9	23.5	7.3	23.7	9.0	23.8	10.2
	4	19.8	4.5	20.9	5.0	21.6	5.6	22.2	6.4	22.6	7.3	23.0	8.7	23.3	10.4	23.5	11.6
	6	18.3	5.9	19.7	6.4	20.7	7.0	21.5	7.8	22.0	8.7	22.6	10.2	22.9	11.9	23.2	13.0
	8	16.8	7.3	18.6	7.9	19.8	8.4	20.8	9.2	21.5	10.1	22.2	11.6	22.6	13.3	23.0	14.4
	10	15.5	8.7	17.6	9.3	19.0	9.8	20.2	10.6	21.0	11.6	21.8	13.0	22.3	14.7	22.7	15.8
	12	14.2	10.1	16.6	10.7	18.2	11.3	19.6	12.1	20.5	13.0	21.4	14.4	22.1	16.1	22.5	17.2
	14	13.0	11.6	15.7	12.1	17.5	12.7	19.0	13.5	20.1	14.4	21.1	15.8	21.8	17.5	22.3	18.7
	16			15.2	13.5	17.1	14.1	18.7	14.9	19.9	15.8	20.9	17.2	21.6	18.9	22.2	20.1
	18					16.5	15.5	18.2	16.3	19.4	17.2	20.6	18.7	21.4	20.4	22.0	21.5
	20							17.7	17.7	19.1	18.6	20.3	20.1	21.2	21.8	21.8	22.9
560-50	2	32.2	4.0	33.0	4.6	33.6	5.3	34.0	6.2	34.4	7.3	34.7	9.0	34.9	10.9	35.0	12.3
	4	29.8	6.1	31.2	6.7	32.2	7.4	32.9	8.3	33.5	9.4	34.0	11.0	34.4	13.0	34.6	14.3
	6	27.8	8.2	29.7	8.8	30.9	9.5	32.0	10.4	32.7	11.5	33.4	13.1	33.9	15.1	34.3	16.4
	8	25.9	10.3	28.3	10.9	29.8	11.5	31.1	12.5	32.0	13.5	32.9	15.2	33.5	17.2	33.9	18.5
	10	24.1	12.3	26.9	13.0	28.7	13.6	30.3	14.6	31.4	15.6	32.4	17.3	33.1	19.3	33.6	20.6
	12			25.6	15.0	27.7	15.7	29.5	16.6	30.7	17.7	31.9	19.4	32.8	21.4	33.4	22.7
	14					26.8	17.8	28.7	18.7	30.2	19.8	31.5	21.5	32.4	23.4	33.1	24.8
	16							28.3	20.8	29.8	21.9	31.2	23.5	32.2	25.5	32.9	26.8
560-72	2	46.1	5.2	47.4	6.0	48.2	6.8	48.8	7.8	49.3	9.1	49.8	11.1	50.1	13.4	50.3	14.9
	4	42.7	8.2	44.7	9.0	46.1	9.8	47.2	10.8	48.1	12.1	48.8	14.0	49.3	16.4	49.7	17.9
	6			42.4	12.0	44.3	12.8	45.8	13.8	46.9	15.1	48.0	17.0	48.7	19.4	49.2	20.9
	8					42.6	15.7	44.5	16.8	46.0	18.1	47.2	20.0	48.1	22.4	48.7	23.9
	10							43.3	19.8	44.9	21.1	46.5	23.0	47.5	25.4	48.3	26.9
800-30	2	28.0	5.0	28.7	6.0	29.1	7.2	29.4	8.7	29.7	10.5	30.0	13.3	30.1	16.7	30.3	18.8
	4	26.1	6.8	27.2	7.8	28.0	9.0	28.6	10.5	29.0	12.3	29.4	15.1	29.7	18.4	29.9	20.6
	6	24.5	8.6	26.0	9.6	27.0	10.7	27.8	12.3	28.4	14.1	29.0	16.8	29.4	20.2	29.7	22.4
	8	23.0	10.4	24.9	11.4	26.1	12.5	27.1	14.1	27.9	15.9	28.6	18.6	29.0	22.0	29.4	24.1
	10	21.6	12.2	23.8	13.2	25.3	14.3	26.5	15.9	27.4	17.7	28.2	20.4	28.7	23.7	29.1	25.9
	12	20.2	14.0	22.8	15.0	24.5	16.1	25.9	17.7	26.9	19.5	27.8	22.2	28.5	25.5	28.9	27.7
	14	19.8	16.1	21.8	16.8	23.7	17.9	25.3	19.5	26.4	21.3	27.4	24.0	28.2	27.3	28.7	29.5
	16	18.7	17.3	21.3	18.6	23.3	19.7	24.9	21.3	26.1	23.1	27.2	25.8	28.0	29.1	28.6	31.3
	18			20.8	20.6	22.6	21.5	24.4	23.1	25.7	24.8	26.9	27.6	27.8	30.9	28.4	33.1
	20					22.0	23.3	23.9	24.9	25.3	26.6	26.6	29.4	27.5	32.7	28.2	34.9
	22							23.4	26.7	24.9	28.4	26.3	31.2	27.3	34.5	28.0	36.7
	24							23.0	28.4	24.6	30.2	26.1	33.0	27.1	36.3	27.8	38.5
800-40	2	37.7	5.8	38.5	6.9	39.0	8.1	39.5	9.7	39.8	11.6	40.1	14.6	40.3	18.1	40.4	20.4
	4	35.4	8.2	36.8	9.3	37.7	10.5	38.4	12.1	38.9	14.0	39.4	17.0	39.8	20.5	40.0	22.8
	6	33.4	10.6	35.3	11.7	36.5	12.9	37.5	14.5	38.2	16.4	38.9	19.4	39.4	22.9	39.7	25.2
	8	31.6	13.0	33.9	14.1	35.4	15.3	36.6	16.9	37.5	18.8	38.4	21.8	39.0	25.3	39.4	27.6
	10	29.9	15.4	32.6	16.5	34.4	17.7	35.8	19.3	36.9	21.2	37.9	24.2	38.6	27.7	39.1	30.0
	12	28.3	18.2	31.4	18.9	33.4	20.1	35.1	21.7	36.3	23.6	37.4	26.6	38.3	30.1	38.8	32.4
	14	26.4	19.6	30.2	21.3	32.5	22.5	34.4	24.1	35.7	26.0	37.0	29.0	37.9	32.5	38.5	34.8
	16			29.1	24.0	31.9	24.8	34.0	26.5	35.4	28.4	36.8	31.4	37.7	34.9	38.4	37.2
	18					31.3	27.3	33.3	28.9	34.9	30.8	36.4	33.8	37.4	37.3	38.2	39.6
	20							32.7	31.3	34.4	33.2	36.0	36.2	37.1	39.7	37.9	42.0

转速 Speed $n=1450r/min$

规格 Size	压力 ΔP bar	粘度 Viscosity (mm ² /s)															
		1		15		35		75		150		350		750		1500	
		流量 m ³ /h	功率 KW	流量 m ³ /h	功率 KW	流量 m ³ /h	功率 KW	流量 m ³ /h	功率 KW	流量 m ³ /h	功率 KW	流量 m ³ /h	功率 KW	流量 m ³ /h	功率 KW	流量 m ³ /h	功率 KW
800-60	2	56.9	7.4	58.0	8.7	58.7	10.0	59.3	11.9	59.8	14.0	60.2	17.4	60.5	21.4	60.7	24.0
	4	53.8	11.0	55.7	12.3	56.9	13.6	57.9	15.5	58.6	17.6	59.3	21.0	59.8	25.0	60.1	27.6
	6	51.1	14.6	53.7	15.9	55.3	17.2	56.7	19.1	57.6	21.2	58.6	24.6	59.2	28.5	59.7	31.2
	8			51.8	19.5	53.8	20.8	55.5	22.7	56.7	24.8	57.9	28.2	58.7	32.1	59.2	34.8
	10			50.0	23.1	52.4	24.4	54.4	26.3	55.9	28.4	57.2	31.8	58.2	25.7	58.8	38.4
	12					51.1	28.0	53.4	29.8	55.0	32.0	56.6	35.3	57.7	39.3	58.5	42.0
	14							52.4	33.4	54.3	35.6	56.0	38.9	57.2	42.9	58.1	45.6
	16									53.8	39.2	55.6	42.5	57.0	46.5	57.9	49.1
800-80	2	74.6	9.1	76.4	10.5	77.6	12.0	78.6	14.1	79.3	16.5	79.9	20.2	80.4	24.6	80.7	27.6
	4	69.5	13.9	72.6	15.3	74.6	16.8	76.2	18.9	77.4	21.3	78.5	25.0	79.3	29.4	79.9	32.4
	6			69.2	20.1	71.9	21.6	74.2	23.6	75.8	26.1	77.3	29.8	78.4	34.2	79.1	37.2
	8					69.5	26.4	72.3	28.4	74.3	30.8	76.2	34.6	77.5	39.0	78.4	42.0
	10							70.5	33.2	72.9	35.6	75.1	39.4	76.6	43.8	77.7	46.8
1400-38	2	53.7	6.6	54.6	7.6	55.2	8.7	55.7	10.3	56.1	12.0	56.4	14.8	56.7	18.1	56.8	20.3
	4	51.1	9.9	52.6	11.0	53.7	12.1	54.5	13.6	55.1	15.4	55.7	18.2	56.1	21.5	56.4	23.7
	6	48.8	13.3	50.9	14.3	52.3	15.4	53.4	17.0	54.3	18.8	55.1	21.5	55.6	24.8	56.0	27.0
	8	46.7	16.6	49.3	17.7	51.0	18.8	52.5	20.3	53.5	22.1	54.5	24.9	55.1	28.2	55.6	30.4
	10	44.8	20.0	47.9	21.0	49.9	22.2	51.6	23.7	52.8	25.5	53.9	28.3	54.7	31.6	55.3	33.8
	12	42.9	23.4	46.5	24.4	48.8	25.5	50.7	27.1	52.1	28.8	53.4	31.6	54.3	34.9	55.0	37.1
	14	41.1	27.4	45.1	27.8	47.7	28.9	49.9	30.4	51.4	32.2	52.9	35.0	53.9	38.3	54.7	40.5
	16	38.9	29.2	43.7	31.6	47.1	32.2	49.4	33.8	51.1	35.6	52.6	38.3	53.7	41.7	54.5	43.8
	18			41.3	33.1	46.2	35.6	48.7	37.1	50.5	38.9	52.2	41.7	53.4	45.0	54.2	47.2
	20					45.3	39.3	48.0	40.5	50.0	42.3	51.8	45.1	53.1	48.4	54.0	50.6
	22							47.3	43.9	49.4	45.6	51.4	48.4	52.7	51.7	53.7	53.9
	24									48.9	49.0	51.0	51.8	52.4	55.1	53.5	57.3
1400-50	2	71.3	8.0	72.4	9.2	73.1	10.4	73.6	12.2	74.0	14.2	74.4	17.3	74.7	21.0	74.9	23.5
	4	68.4	12.4	70.2	13.6	71.3	14.9	72.3	16.6	73.0	18.6	73.6	21.7	74.0	25.5	74.4	27.9
	6	65.9	16.9	68.2	18.0	69.8	19.3	71.1	21.0	72.0	23.0	72.9	26.2	73.5	29.9	73.9	32.3
	8	63.5	21.3	66.5	22.5	68.4	23.7	70.0	25.4	71.2	27.5	72.2	30.6	73.0	34.3	73.5	36.8
	10	61.3	25.7	64.8	26.9	67.1	28.1	69.0	29.9	70.3	31.9	71.6	35.0	72.5	38.7	73.2	41.2
	12	59.2	31.0	63.2	31.3	65.8	32.6	68.0	34.3	69.6	36.3	71.0	39.4	72.0	43.1	72.8	45.6
	14	56.5	33.6	61.7	35.7	64.6	37.0	67.1	38.7	68.8	40.7	70.5	43.8	74.6	47.6	72.5	50.0
	16			60.2	40.7	64.0	41.4	66.5	43.1	68.4	45.1	70.2	48.3	71.4	52.0	72.3	54.5
	18					63.4	46.3	65.7	47.6	67.8	49.6	69.7	52.7	71.0	56.4	72.0	58.9
	20							64.9	52.5	67.2	54.0	69.2	57.1	70.6	60.8	71.7	63.3
1400-75	2	106.8	10.9	108.4	12.3	109.5	13.8	110.3	15.9	111.0	18.3	111.6	22.0	112.0	26.5	112.3	29.4
	4	102.2	17.6	105.0	19.0	106.7	20.5	108.2	22.5	109.3	24.9	110.3	28.7	111.0	33.1	111.5	36.0
	6	98.2	24.2	102.0	25.6	104.4	27.1	106.4	29.2	107.8	31.6	109.2	35.3	110.2	39.7	110.8	42.7
	8	94.3	33.3	99.2	32.2	102.2	33.7	104.7	35.8	106.5	38.2	108.2	41.9	109.3	46.4	110.2	49.3
	10			96.6	38.9	100.1	40.4	103.1	42.4	105.2	44.8	107.2	48.6	108.6	53.0	109.6	56.0
	12					98.2	47.0	101.6	40.1	104.0	51.5	106.3	55.2	107.9	59.6	109.0	62.6
	14							100.1	55.7	102.7	58.1	105.4	61.8	107.2	66.3	108.5	69.2
	16									102.2	64.7	104.9	68.5	106.8	72.9	108.2	75.9
1400-96	2	134.7	13.3	137.3	14.8	138.9	16.5	140.3	18.8	141.3	21.5	142.2	25.7	142.9	30.6	143.4	33.9
	4	127.6	21.7	131.9	23.3	134.6	25.0	137.0	27.3	138.7	30.0	140.2	34.2	141.3	39.1	142.1	42.4
	6			127.1	31.8	130.9	33.5	134.1	35.8	136.4	38.5	138.5	42.7	140.0	47.6	141.1	50.9
	8					127.2	38.7	131.4	44.3	134.2	47.0	136.9	51.1	138.7	56.1	140.1	59.4
	10							127.6	49.5	132.3	55.5	135.4	59.6	137.6	64.6	139.1	67.9



转速 Speed n=1450r/min

规格 Size	压力 ΔP bar	粘度 Viscosity (mm ² /s)															
		1		15		35		75		150		350		750		1500	
		流量 (M ³ /h)	功率 (Kw)	流量 (M ³ /h)	功率 (Kw)	流量 (M ³ /h)	功率 (Kw)	流量 (M ³ /h)	功率 (Kw)	流量 (M ³ /h)	功率 (Kw)	流量 (M ³ /h)	功率 (Kw)	流量 (M ³ /h)	功率 (Kw)	流量 (M ³ /h)	功率 (Kw)
2500-43	2	85.5	11.2	87.0	13.0	87.9	15.1	88.7	17.8	89.3	21.1	89.8	26.1	90.2	32.1	90.5	36.1
	4	81.5	16.5	83.9	18.4	85.5	20.4	86.8	23.2	87.8	26.4	88.7	31.5	89.3	37.5	89.8	41.4
	6	77.9	21.9	81.2	23.7	83.4	25.8	85.2	28.5	86.5	31.8	87.7	36.8	88.5	42.8	89.2	46.8
	8	74.7	27.2	78.8	29.1	81.4	31.1	83.7	33.9	85.3	37.1	86.8	42.2	87.8	48.2	88.6	52.1
	10	71.6	32.6	76.5	34.4	79.6	36.5	82.2	39.2	84.2	42.5	85.9	47.5	87.2	53.5	88.1	57.5
	12	68.7	37.9	74.3	39.8	77.9	41.8	80.9	44.6	83.1	47.8	85.1	52.9	86.5	58.9	87.6	62.8
	14	65.9	43.3	72.2	45.1	76.2	47.2	79.6	49.9	85.0	53.2	84.3	58.2	85.9	64.2	87.1	68.2
	16	62.3	47.0	71.0	50.5	75.3	52.5	78.9	55.3	84.5	58.5	83.9	63.6	85.6	69.6	86.8	73.5
	18	57.8	51.4	69.2	55.8	73.8	57.9	77.8	60.6	80.6	63.9	83.2	68.9	85.1	74.9	86.4	78.9
	20			67.4	61.2	72.5	63.2	76.7	66.0	79.7	69.2	82.6	74.3	84.6	80.3	86.0	84.2
	22					71.1	68.6	75.6	71.3	78.9	74.6	82.0	79.6	84.1	85.6	85.6	89.6
	24							74.6	76.7	78.1	79.9	81.3	85.0	83.6	91.0	85.2	94.9
2500-56	2	111.4	13.4	113.3	15.4	114.5	17.7	115.5	20.7	116.3	24.3	117.0	29.9	117.5	36.5	117.8	40.9
	4	106.1	20.3	109.3	22.4	111.4	24.6	113.1	27.7	114.3	31.3	115.5	36.9	116.3	43.5	116.9	47.9
	6	101.5	27.3	105.8	29.4	108.6	31.6	110.9	34.7	112.6	38.3	114.2	43.8	115.3	50.4	116.1	54.8
	8	97.3	34.3	102.6	36.3	106.1	38.6	109.0	41.6	111.1	45.2	113.0	50.8	114.4	57.39	115.4	61.8
	10	93.3	41.2	99.6	43.3	103.7	45.5	107.1	48.6	109.6	52.2	111.9	57.8	113.5	64.4	114.7	68.8
	12	89.5	49.5	96.7	50.3	101.4	52.5	105.4	55.6	108.2	59.2	110.9	64.7	112.7	71.3	114.0	75.7
	14	84.7	56.3	93.8	58.4	99.3	59.5	103.7	62.5	106.9	66.1	109.8	71.7	111.9	78.3	113.4	82.7
	16			88.5	65.5	91.4	67.4	102.7	69.5	106.1	73.1	109.3	78.7	111.5	85.3	113.1	89.7
	18					81.8	75.2	101.8	77.3	105.0	80.1	108.4	85.6	110.8	92.2	112.5	96.6
	20							98.1	85.0	103.9	87.0	107.6	92.6	110.2	99.2	112.0	103.6
2500-85	2	169.0	18.1	171.9	20.5	173.8	23.1	175.4	26.7	176.5	30.9	177.6	37.4	178.3	45.2	178.8	50.3
	4	160.9	28.7	165.8	31.1	168.9	33.7	171.6	37.3	173.5	41.5	175.3	48.0	176.5	55.8	177.4	60.9
	6	153.8	39.2	160.4	41.7	164.7	44.3	168.3	47.9	170.9	52.1	173.3	58.6	175.0	66.3	176.2	71.5
	8	147.0	53.5	155.5	52.2	160.8	54.9	165.3	58.5	168.5	62.6	171.5	69.2	173.6	76.9	175.1	82.1
	10			150.7	65.3	157.1	65.4	162.4	69.0	166.2	73.2	169.7	79.7	172.3	87.5	174.0	92.6
	12					153.5	77.9	159.7	79.6	164.1	83.8	168.1	90.3	171.0	98.1	173.0	103.2
	14							157.1	91.8	162.0	94.4	166.6	100.9	169.8	108.7	172.1	113.8
	16									160.9	105.0	165.7	111.5	169.1	119.2	171.5	124.4
2500-112	2	223.4	22.6	227.0	25.4	229.4	28.5	231.4	32.7	232.8	37.5	234.1	45.1	235.0	54.1	235.7	60.0
	4	213.3	36.6	219.4	39.4	223.3	42.4	226.6	46.6	229.0	51.5	231.3	59.1	232.8	68.0	234.0	74.0
	6			212.7	53.3	218.0	56.4	222.5	60.5	225.8	65.4	228.8	73.0	230.9	81.9	232.4	87.9
	8			206.2	72.1	212.8	75.1	218.7	74.5	222.8	79.3	226.5	89.9	229.1	95.9	231.0	101.8
	10							215.0	91.7	219.9	93.3	224.4	100.8	227.5	109.8	229.7	115.8
4200-50	2	154.1	21.6	155.9	25.6	157.1	29.9	158.0	35.7	158.8	42.5	159.4	53.1	159.9	65.7	160.2	74.1
	4	149.0	31.1	152.1	35.0	154.0	39.3	155.7	45.2	156.9	52.0	158.0	62.6	158.8	75.2	159.3	83.5
	6	144.6	40.5	148.7	44.5	151.4	48.8	153.6	54.6	155.3	61.4	156.8	72.0	157.8	84.6	158.6	93.0
	8	140.5	50.0	145.6	53.9	148.9	58.2	151.7	64.0	153.7	70.9	155.6	81.5	156.9	94.1	157.9	102.4
	10	136.6	59.4	142.7	63.4	146.7	67.6	150.0	73.5	152.3	80.3	154.6	90.9	156.1	103.5	157.2	111.9
	12	133.0	68.9	140.0	72.8	144.5	77.1	148.3	82.9	151.0	89.7	153.5	100.4	155.3	113.0	156.6	121.3
	14	129.5	78.3	137.3	82.3	142.4	86.5	146.6	92.4	149.7	99.2	152.6	109.8	154.6	122.4	156.0	130.8
	16	127.6	87.8	135.9	91.7	141.2	96.0	145.7	101.8	149.0	108.6	152.0	119.2	154.2	131.9	155.7	140.2
	18	124.6	97.2	133.6	101.1	139.4	105.4	144.4	111.3	147.9	118.1	151.2	128.7	153.5	141.3	155.1	149.7
	20			131.4	110.6	137.7	114.9	143.0	120.7	146.8	127.5	150.4	138.1	152.9	150.7	154.6	159.1
	22					136.0	124.3	141.7	130.2	145.8	137.0	149.6	147.6	152.3	160.2	154.2	168.5
	24							140.4	139.6	144.8	146.4	148.8	157.0	151.7	169.6	153.7	178.0

转速 Speed $n=1450r/min$

规格 Size	压力 ΔP bar	粘度 Viscosity (mm ² /s)															
		1		15		35		75		150		350		750		1500	
		流量 (M ³ /h)	功率 (Kw)	流量 (M ³ /h)	功率 (Kw)	流量 (M ³ /h)	功率 (Kw)	流量 (M ³ /h)	功率 (Kw)	流量 (M ³ /h)	功率 (Kw)	流量 (M ³ /h)	功率 (Kw)	流量 (M ³ /h)	功率 (Kw)	流量 (M ³ /h)	功率 (Kw)
4200-67	2	206	26	209	30	210	34	211	40	212	47	213	59	214	72	217	81
	4	200	38	204	42	206	47	208	51	210	60	211	71	212	84	213	93
	6	194	51	199	55	203	59	206	66	208	73	210	84	211	97	212	106
	8	189	63	196	68	200	72	203	78	206	85	208	96	210	110	211	118
	10	184	76	192	80	197	85	201	91	204	98	207	109	209	122	210	131
	12	179	89	188	93	194	97	199	104	202	111	206	122	208	135	210	144
	14	175	101	185	106	191	110	197	116	201	123	204	134	207	148	209	156
	16			183	118	190	123	196	129	200	136	204	147	206	160	208	169
	18			180	131	188	135	194	141	198	149	203	160	206	173	208	182
	20					185	148	192	154	197	161	202	172	205	186	207	194
4200-100	2	305	33	309	37	312	42	314	48	316	56	318	68	319	82	320	91
	4	293	52	300	56	305	61	309	67	312	75	314	87	316	101	317	110
	6	283	70	292	75	299	80	304	86	308	94	311	106	314	120	316	129
	8	273	89	285	94	293	99	300	106	304	113	309	125	312	139	314	148
	10	264	108	278	113	288	117	295	124	301	132	306	144	310	158	312	167
	12			272	132	282	136	291	143	298	151	304	162	308	177	311	186
	14					277	155	287	162	295	169	301	181	306	195	310	205
	16							285	181	293	188	300	200	305	214	309	224
4200-128	2	385	39	392	44	396	49	400	57	402	65	405	78	407	93	408	104
	4	366	63	377	68	385	73	391	81	395	89	400	102	403	118	405	128
	6	349	88	365	92	375	98	383	105	389	113	395	126	399	142	402	152
	8	334	112	353	117	366	122	376	129	384	134	391	150	396	166	399	176
	10			342	141	357	146	369	153	378	162	387	175	393	190	397	200
7000-80	2	366	25	368	28	369	30	370	30	371	36	372	45	373	50	373	55
	4	348	48	350	52	352	56	354	56.6	355	68	356	80	357	93	357	105
	6	334	68	337	75	340	82	343	82.3	344	100	345	116	346	134	346	150
	8	318	85	322	96	327	106	331	106	332	127	333	148	334	170	334	190
	10	300	103	308	116	314	128	319	128	320	154	321	180	322	205	322	230
	12	278	118	290	133	300	147	307	147	308	177	309	206	310	235	310	265
	14			278	150	288	165	295	165	296	200	297	230	298	265	298	295
	16			265	165	276	182	284	182	284	220	285	255	286	290	287	325
	18					254	192	266	192	268	235	270	270	272	307	274	345
	20					230	195	244	195	247	240	250	273	253	312	256	350
22							222	197	225	245	229	276	233	315	237	355	
24							185	200	190	250	195	280	200	320	205	360	
7000-100	2	466	32	468	35	469	37	470	37.6	471	46	472	55	473	63	473	70
	4	438	60	441	65	443	71	445	71.2	446	87	447	102	448	115	448	130
	6	424	83	425	95	428	103	430	103	431	125	432	145	433	165	433	185
	8	406	107	410	120	413	133	415	133	416	160	417	186	418	212	419	240
	10	388	128	393	145	397	160	400	160	401	195	402	225	404	256	406	285
	12	373	148	378	168	382	185	386	185	388	225	390	260	393	296	396	330
	14			352	186	362	206	368	206	370	250	373	290	377	330	380	370
	16			328	205	342	227	354	227	357	280	360	320	364	363	368	405
	18					324	244	338	244	341	300	344	342	347	390	350	440
	20					295	250	310	250	314	330	318	350	342	400	345	450
7000-128	2	590	40	595	45	598	48	600	48	601	58	603	70	605	80	608	90
	4	565	75	570	85	572	92	574	92	575	112	577	130	580	150	582	165
	6	545	108	550	120	553	133	555	133	557	160	560	188	563	212	567	240
	8	525	138	530	155	533	172	536	172	538	208	540	240	543	275	547	310
	10	500	166	508	186	513	207	517	207	520	250	523	290	526	330	530	370
	12	480	192	486	216	493	240	498	240	500	290	503	336	506	384	510	430
	14			450	240	462	265	470	265	472	320	475	370	478	420	482	475
	16					420	290	430	290	432	350	435	406	438	460	442	520

转速 Speed $n=1450r/min$

规格 Size	压力 ΔP bar	粘度 Viscosity (mm^2/s)															
		1		15		35		75		150		350		750		1500	
		流量 (M^3/h)	功率 (Kw)	流量 (M^3/h)	功率 (Kw)	流量 (M^3/h)	功率 (Kw)	流量 (M^3/h)	功率 (Kw)	流量 (M^3/h)	功率 (Kw)	流量 (M^3/h)	功率 (Kw)	流量 (M^3/h)	功率 (Kw)	流量 (M^3/h)	功率 (Kw)
7000-150	2	710	50	715	55	718	60	720	60	722	72	725	85	728	100	732	110
	4	665	90	672	100	676	110	679	110	681	132	685	155	690	176	695	200
	6	610	125	622	140	630	155	635	155	637	186	640	218	645	248	650	280
	8	570	160	582	180	592	200	590	200	593	240	597	280	603	320	610	360
	10	500	192	520	216	535	240	545	240	550	290	555	336	562	380	570	430
9800-80	2	553	55	560	62	564	70	567	81	570	94	572	110	573	125	574	138
	4	536	87	546	94	553	102	559	113	563	126	567	143	569	157	570	171
	6	520	119	534	127	544	135	552	146	558	159	562	175	565	189	567	203
	8	506	151	524	159	535	167	545	178	552	191	558	207	561	221	564	235
	10	492	184	513	191	527	199	539	210	547	223	554	239	558	253	561	267
	12	479	216	504	223	520	231	533	242	543	255	550	271	555	286	558	299
	14	467	248	494	255	512	264	527	275	538	287	547	304	552	318	555	332
	16	455	280	485	288	505	296	522	307	534	320	543	336	549	350	553	364
	18	444	313	477	320	498	328	516	339	529	352	540	368	546	382	550	396
	20			468	352	492	360	511	371	525	384	536	400	543	415	548	428
	22					485	392	506	403	521	416	533	433	540	447	545	461
	24							501	436	517	449	530	465	538	479	543	493
9800-100	2	664	65	672	74	677	83	681	96	684	111	687	130	688	147	689	163
	4	642	104	655	113	664	122	671	135	676	150	680	169	683	186	685	202
	6	622	143	640	151	652	161	662	174	669	189	675	208	678	225	680	241
	8	604	181	627	190	641	200	654	213	662	228	669	247	674	263	677	280
	10	587	220	614	229	631	238	646	251	656	266	665	285	669	302	673	318
	12	571	259	602	268	622	277	638	290	650	305	660	324	665	341	669	357
	14	556	298	590	306	612	316	631	329	645	344	655	363	662	380	666	396
	16	541	336	579	345	604	354	624	367	639	382	651	402	658	418	663	434
	18			568	384	595	393	618	406	634	421	647	440	654	457	660	473
	20					587	432	611	445	629	460	643	479	651	496	657	512
	22							605	484	624	499	639	518	648	534	654	551
	9800-128	2	772	76	782	86	789	97	794	111	798	129	801	151	803	170	805
4		744	121	761	131	772	142	784	157	788	174	793	196	796	215	798	234
6		719	166	742	176	757	187	769	202	779	219	786	241	790	260	793	279
8		696	211	725	221	743	232	759	247	770	264	779	286	784	305	788	324
10		674	257	708	267	730	278	749	292	762	310	773	331	779	351	784	369
12		657	302	693	312	718	323	739	338	755	355	767	377	774	396	779	415
14		634	347	678	357	707	368	730	383	748	400	761	422	769	441	775	460
16						695	413	722	428	741	445	756	467	765	486	771	505
18								713	473	734	491	750	512	760	532	767	550
9800-150	2	992	98	1005	111	1014	125	1021	144	1026	166	1030	194	1032	219	1034	243
	4	956	156	978	169	992	183	1004	202	1012	224	1019	252	1023	277	1026	301
	6	924	214	953	227	973	241	989	260	1001	282	1010	310	1015	335	1019	359
	8	894	272	931	285	955	299	975	318	990	340	1001	369	1008	393	1013	417
	10	867	330	910	343	939	357	962	376	980	399	993	427	1001	451	1007	475
	12	840	388	891	401	923	415	950	434	970	457	986	485	995	510	1001	534

转速 Speed $n=1450r/min$

规格 Size	压力 ΔP bar	粘度 Viscosity(mm ² /s)															
		1		15		35		75		150		350		750		1500	
		流量 m ³ /h	功率 KW	流量 m ³ /h	功率 KW	流量 m ³ /h	功率 KW	流量 m ³ /h	功率 KW	流量 m ³ /h	功率 KW	流量 m ³ /h	功率 KW	流量 m ³ /h	功率 KW	流量 m ³ /h	功率 KW
18000-176	0	1700		1750		1780		1800		1815		1820		1825		1830	
	2	1530	111	1645	127	1673	136	1728	148	1742	164	1747	179	1789	199	1793	215
	4	1445	210	1575	242	1602	260	1656	283	1670	314	1674	343	1716	381	1720	412
	6	1360	300	1505	350	1531	364	1584	388	1597	419	1602	452	1643	503	1647	525
	8	1275	375	1453	451	1477	468	1530	500	1543	540	1547	581	1583	647	1592	676
	10			1400	539	1424	554	1476	586	1488	620	1492	651	1533	730	1537	762
	12					1388	648	1440	686	1452	726	1456	763	1497	855	1501	893
	16					1353	842	1404	891	1416	944	1420	992	1460	1112	1464	1162
18000-192	0	1850		1900		1952		2000		2020		2030		2035		2040	
	2	1665	121	1786	137	1835	149	1920	164	1939	182	1949	200	1994	222	1999	239
	4	1573	229	1710	263	1757	285	1840	315	1858	349	1868	383	1913	425	1918	459
	6	1480	326	1634	380	1679	399	1760	431	1778	466	1786	503	1832	561	1836	585
	8	1388	386	1577	490	1620	513	1700	556	1717	600	1726	649	1770	723	1775	754
	10			1520	573	1562	601	1640	651	1656	690	1665	727	1709	814	1714	850
	12					1523	703	1600	762	1616	808	1624	851	1669	954	1673	996
	16					1484	923	1560	990	1576	1051	1583	1106	1628	1240	1632	1295
18000-224	0	2250		2300		2350		2400		2420		2430		2435		2440	
	2	2025	168	2160	177	2210	185	2300	197	2320	216	2330	238	2385	256	2390	276
	4	1910	321	2070	340	2115	359	2210	378	2230	415	2235	457	2290	491	2295	529
	6	1800	465	1980	491	2020	501	2110	517	2130	553	2140	595	2190	646	2195	672
	8	1685	600	1910	634	1950	647	2040	667	2060	714	2065	767	2120	834	2125	867
	10			1840	743	1880	758	1970	782	1985	821	1990	860	2070	938	2075	977
	12					1810	888	1920	915	1940	960	1945	1006	1995	1098	2000	1143
	16					1786	1165	1872	1189	1888	1248	1895	1308	1948	1427	1952	1486
18000-250	0	2500		2550		2580		2600		2620		2630		2635		2640	
	2	2250	187	2400	192	2450	202	2496	213	2515	234	2545	256	2580	277	2585	298
	4	2125	359	2295	367	2345	388	2390	408	2410	449	2440	490	2475	530	2475	571
	6	2000	505	2190	533	2245	547	2290	561	2305	600	2337	645	2370	700	2375	729
	8	1875	650	2115	686	2167	704	2210	722	2225	773	2255	830	2290	903	2295	939
	10			2040	802	2090	823	2130	845	2150	887	2190	930	2240	1014	2245	1056
	12					2038	965	2080	990	2100	1040	2130	1090	2160	1188	2165	1238
	16					1960	1250	2020	1283	2040	1347	2070	1410	2105	1540	2110	1603

转速 Speed $n=950r/min$

规格 Size	压力 ΔP bar	粘度 Viscosity (mm^2/s)															
		1		15		35		75		150		350		750		1500	
		流量 (M^3/h)	功率 (Kw)	流量 (M^3/h)	功率 (Kw)	流量 (M^3/h)	功率 (Kw)	流量 (M^3/h)	功率 (Kw)	流量 (M^3/h)	功率 (Kw)	流量 (M^3/h)	功率 (Kw)	流量 (M^3/h)	功率 (Kw)	流量 (M^3/h)	功率 (Kw)
280-20	2	4.6	1.0	4.9	1.2	5.1	1.4	5.3	1.8	5.4	2.1	5.5	2.7	5.6	3.4	5.7	3.8
	4	3.8	1.3	4.3	1.6	4.6	1.8	4.9	2.1	5.1	2.5	5.3	3.0	5.4	3.7	5.5	4.2
	6	3.0	1.7	3.7	1.9	4.2	2.1	4.6	2.4	4.8	2.8	5.1	3.4	5.3	4.1	5.4	4.5
	8			3.2	2.2	3.8	2.5	4.2	2.8	4.6	3.2	4.9	3.7	5.1	4.4	5.3	4.8
	10			2.7	2.6	3.4	2.8	3.9	3.1	4.3	3.5	4.7	4.1	4.9	4.7	5.2	5.2
	12					3.0	3.2	3.7	3.5	4.1	3.8	4.5	4.4	4.8	5.1	5.1	5.5
	14							3.4	3.8	3.9	4.2	4.4	4.8	4.7	5.4	5.0	5.9
	16							3.2	4.2	3.8	4.5	4.3	5.1	4.6	5.8	4.9	6.2
	18									3.6	4.9	4.1	5.4	4.5	6.1	4.8	6.6
	20									3.4	5.2	4.0	5.8	4.4	6.5	4.7	6.9
	22											3.9	6.1	4.3	6.8	4.6	7.3
24											3.8	6.5	4.2	7.1	4.5	7.6	
280-28	2	6.3	1.2	6.7	1.4	7.0	1.6	7.2	2.0	7.4	2.4	7.5	3.0	7.6	3.7	7.7	4.2
	4	5.2	1.6	5.9	1.9	6.3	2.1	6.7	2.4	6.9	2.8	7.2	3.3	7.4	4.2	7.5	4.6
	6	4.2	2.1	5.1	2.3	5.7	2.6	6.2	2.9	6.6	3.3	6.9	3.9	7.1	4.6	7.3	5.1
	8	3.3	2.6	4.4	2.8	5.2	3.0	5.8	3.4	6.2	3.8	6.7	4.4	6.9	5.1	7.2	5.6
	10			3.8	3.3	4.6	3.5	5.4	3.8	5.9	4.2	6.4	4.8	6.8	5.6	7.0	6.0
	12					4.2	4.0	5.0	4.3	5.6	4.7	6.2	5.3	6.6	6.0	6.9	6.5
	14					3.7	4.4	4.6	4.8	5.3	5.2	6.0	5.8	6.4	6.5	6.7	7.0
	16							4.4	5.2	5.2	5.6	5.8	6.2	6.3	7.0	6.6	7.4
	18									4.9	6.1	5.6	6.7	6.2	7.4	6.5	7.9
	20									4.7	6.6	5.5	7.2	6.0	7.9	6.4	8.4
280-40	2	9.7	1.4	10.2	1.7	10.5	1.9	10.8	2.3	11.0	2.7	11.2	3.4	11.3	4.1	11.4	4.6
	4	8.3	2.1	9.1	2.4	9.7	2.6	10.1	3.0	10.5	3.4	10.8	4.0	11.0	4.8	11.2	5.3
	6	7.0	2.8	8.2	3.0	8.9	3.3	9.6	3.7	10.0	4.1	10.4	4.7	10.7	5.5	10.9	6.0
	8	5.9	3.5	7.3	3.7	8.2	4.0	9.0	4.4	9.6	4.8	10.1	5.4	10.5	6.2	10.7	6.7
	10			6.5	4.4	7.6	4.7	8.5	5.0	9.2	5.5	9.8	6.1	10.2	6.9	10.6	7.4
	12					7.0	5.4	8.1	5.7	8.8	6.1	9.5	6.8	10.0	7.6	10.4	8.1
	14							7.6	6.4	8.5	6.8	9.3	7.5	9.8	8.2	10.2	8.8
	16									8.2	7.5	9.1	8.2	9.7	8.9	10.1	9.5
280-56	2	13.6	1.8	14.3	2.0	14.8	2.3	15.1	2.7	15.4	3.2	15.7	3.9	15.9	4.8	16.0	5.3
	4	11.7	2.8	12.8	3.0	13.6	3.3	14.2	3.7	14.7	4.2	15.1	4.9	15.4	5.7	15.6	6.3
	6			11.6	4.0	12.6	4.3	13.4	4.7	14.1	5.1	14.7	5.8	15.1	6.7	15.3	7.3
	8							12.7	5.6	13.5	6.1	14.2	6.8	14.7	7.7	15.1	8.2
	10									12.9	7.1	13.8	7.8	14.4	8.6	14.8	9.2
560-25	2	9.4	1.5	10.0	1.8	10.3	2.1	10.6	2.5	10.9	3.0	11.0	3.7	11.2	4.6	11.3	5.2
	4	7.9	2.2	8.8	2.5	9.4	2.8	9.9	3.2	10.2	3.7	10.6	4.4	10.8	5.3	11.0	5.9
	6	6.6	2.9	7.8	3.2	8.6	3.5	9.3	3.9	9.8	4.4	10.2	5.1	10.5	6.0	10.8	6.6
	8	5.3	3.6	6.9	3.9	7.9	4.2	8.7	4.6	9.3	5.0	9.9	5.8	10.3	6.7	10.6	7.2
	10			6.0	4.5	7.2	4.8	8.2	5.2	8.9	5.7	9.6	6.5	10.0	7.3	10.4	7.9
	12					6.5	5.5	7.7	5.9	8.5	6.4	9.3	7.1	9.8	8.0	10.2	8.6
	14					5.9	6.2	7.2	6.6	8.1	7.1	9.0	7.8	9.6	8.7	10.0	9.3
	16							6.9	7.3	7.9	7.8	8.8	8.5	9.4	9.4	9.9	10.0
	18							6.5	8.0	7.6	8.4	8.5	9.2	9.2	10.1	9.7	10.7
	20							6.1	8.6	7.2	9.1	8.3	9.9	9.0	10.7	9.6	11.3
	22									6.9	9.8	8.1	10.5	8.9	11.4	9.4	12.0
	24									6.6	10.5	7.8	11.2	8.7	12.1	9.3	12.7

转速 Speed $n=950r/min$

规格 Size	压力 ΔP bar	粘度 Viscosity (mm^2/s)															
		1		15		35		75		150		350		750		1500	
		流量 (M^3/h)	功率 (Kw)	流量 (M^3/h)	功率 (Kw)	流量 (M^3/h)	功率 (Kw)	流量 (M^3/h)	功率 (Kw)	流量 (M^3/h)	功率 (Kw)	流量 (M^3/h)	功率 (Kw)	流量 (M^3/h)	功率 (Kw)	流量 (M^3/h)	功率 (Kw)
560-34	2	13.3	1.9	13.9	2.2	14.3	2.5	14.7	2.9	15.0	3.5	15.1	4.3	15.3	5.3	15.4	5.9
	4	11.5	2.8	12.5	3.1	13.2	3.4	13.8	3.9	14.2	4.4	14.6	5.2	14.9	6.2	15.1	6.8
	6	9.9	3.7	11.4	4.0	12.3	4.4	13.1	4.8	13.7	5.3	14.2	6.1	14.6	7.1	14.8	7.8
	8	8.5	4.7	10.3	5.0	11.5	5.3	12.4	5.7	13.1	6.3	13.8	7.0	14.3	8.0	14.6	8.7
	10			9.3	5.9	10.6	6.2	11.8	6.7	12.6	7.2	13.4	8.0	14.0	9.0	14.4	9.6
	12			8.3	6.8	9.9	7.1	11.2	7.6	12.2	8.1	13.1	8.9	13.7	9.9	14.1	10.5
	14					9.1	8.1	10.6	8.5	11.7	9.0	12.7	9.9	13.4	10.8	13.9	11.5
	16					8.7	9.0	10.3	9.4	11.5	10.0	12.5	10.8	13.3	11.8	13.8	12.4
	18							9.8	10.4	11.1	10.9	12.2	11.7	13.1	12.7	13.6	13.3
	20							9.4	11.3	10.7	11.8	12.0	12.6	12.8	13.6	13.5	14.3
560-50	2	19.9	2.5	20.7	2.8	21.3	3.2	21.7	3.7	22.1	4.3	22.4	5.3	22.6	6.4	22.7	7.2
	4	17.5	3.8	19.0	4.2	19.9	4.6	20.6	5.1	21.2	5.7	21.7	6.6	22.1	7.8	22.3	8.5
	6	15.5	5.2	17.4	5.5	18.6	5.9	19.7	6.4	20.4	7.1	21.1	8.0	21.6	9.1	22.0	9.9
	8	13.6	6.6	16.0	6.9	17.5	7.3	18.8	7.8	19.7	8.4	20.6	9.4	21.2	10.5	21.7	11.3
	10	11.8	7.9	14.6	8.3	16.5	8.6	18.0	9.2	19.1	9.8	20.1	10.7	20.8	11.9	21.4	12.6
	12			13.4	9.6	15.4	10.0	17.1	10.5	18.5	11.2	19.6	12.1	20.5	13.2	21.1	14.0
	14					14.5	11.4	16.4	11.9	17.9	12.5	19.2	13.5	20.1	14.6	20.8	15.3
	16							16.0	13.3	17.5	13.9	18.9	14.8	19.9	16.0	20.6	16.7
560-72	2	28.5	3.2	29.7	3.7	30.5	4.1	31.2	4.7	31.7	5.4	32.1	6.5	32.4	7.9	32.7	8.7
	4	25.0	5.2	27.1	5.6	28.4	6.1	29.6	6.7	30.4	7.4	31.2	8.5	31.7	9.8	32.1	10.7
	6			24.8	7.6	26.6	8.0	28.2	8.6	29.3	9.4	30.3	10.5	31.0	11.8	31.6	12.7
	8					25.0	10.0	26.9	10.6	28.2	11.3	29.5	12.4	30.4	13.8	31.1	14.6
	10							25.7	12.6	27.3	13.3	28.8	14.4	29.9	15.7	30.6	16.6
800-30	2	17.4	3.0	18.1	3.6	18.5	4.2	18.9	5.1	19.1	6.1	19.4	7.7	19.5	9.6	19.7	10.8
	4	15.5	4.2	16.7	4.8	17.4	5.4	18.0	6.3	18.4	7.3	18.8	8.9	19.1	10.8	19.3	12.0
	6	13.9	5.4	15.4	5.9	16.4	6.6	17.2	7.5	17.8	8.5	18.4	10.1	18.8	11.9	19.1	13.2
	8	12.4	6.5	14.3	7.1	15.5	7.8	16.5	8.6	17.3	9.6	18.0	11.2	18.5	13.1	18.8	14.4
	10	11.0	7.7	13.2	8.3	14.7	8.9	15.9	9.8	16.8	10.8	17.6	12.4	18.1	14.3	18.6	15.5
	12			12.2	9.5	13.9	10.1	15.3	11.0	16.3	12.0	17.2	13.6	17.9	15.5	18.3	16.7
	14			11.2	10.7	13.1	11.3	14.7	12.2	15.8	13.2	16.8	14.8	17.6	16.6	18.1	17.9
	16					12.7	12.5	14.3	13.3	15.5	14.4	16.6	15.9	17.4	17.8	18.0	19.1
	18					12.0	13.6	13.8	14.5	15.1	15.5	16.3	17.1	17.2	19.0	17.8	20.2
	20					11.4	14.8	13.3	15.7	14.7	16.7	16.0	18.3	17.0	20.2	17.6	21.4
	22							12.8	16.9	14.3	17.9	15.7	19.5	16.7	21.4	17.4	22.6
	24							12.4	18.0	14.0	19.1	15.5	20.6	16.5	22.5	17.3	23.8
800-40	2	23.5	3.5	24.4	4.1	24.9	4.8	25.3	5.7	25.6	6.8	25.9	8.5	26.1	10.5	26.3	11.8
	4	21.3	5.1	22.6	5.7	23.5	6.4	24.3	7.3	24.8	8.4	25.3	10.1	25.7	12.1	25.9	13.4
	6	19.3	6.6	21.1	7.3	22.3	8.0	23.3	8.9	24.1	10.0	24.8	11.6	25.2	13.6	25.6	15.0
	8	17.5	8.2	19.8	8.8	21.2	9.5	22.5	10.5	23.4	11.5	24.2	13.2	24.8	15.2	25.2	16.5
	10	15.7	9.8	18.5	10.4	20.2	11.1	21.7	12.0	22.8	13.1	23.8	14.8	24.5	16.8	25.0	18.1
	12			17.2	12.0	19.2	12.7	20.9	13.6	22.2	14.7	23.3	16.4	24.1	18.4	24.7	19.7
	14			16.0	13.6	18.3	14.2	20.2	15.2	21.6	16.2	22.9	17.9	23.8	19.9	24.4	21.3
	16					17.8	15.8	19.8	16.7	21.3	17.8	22.6	19.5	23.6	21.5	24.3	22.8
	18							19.2	18.3	20.8	19.4	22.3	21.1	23.3	23.1	24.0	24.4
	20							18.6	19.9	20.3	21.0	21.9	22.6	23.0	24.6	23.8	26.0

转速 Speed $n=950r/min$

规格 Size	压力 ΔP bar	粘度 Viscosity (mm^2/s)															
		1		15		35		75		150		350		750		1500	
		流量 (M^3/h)	功率 (Kw)	流量 (M^3/h)	功率 (Kw)	流量 (M^3/h)	功率 (Kw)	流量 (M^3/h)	功率 (Kw)	流量 (M^3/h)	功率 (Kw)	流量 (M^3/h)	功率 (Kw)	流量 (M^3/h)	功率 (Kw)	流量 (M^3/h)	功率 (Kw)
800-60	2	35.7	4.5	36.8	5.3	37.6	6.0	38.2	7.1	38.6	8.3	39.0	10.2	39.3	12.5	39.5	14.0
	4	32.7	6.9	34.5	7.6	35.7	8.4	36.7	9.4	37.4	10.6	38.1	12.6	38.6	14.8	38.9	16.3
	6	30.0	9.3	32.5	10.0	34.1	10.7	35.5	11.8	36.5	13.0	37.4	14.9	38.0	17.2	38.5	18.7
	8			30.6	12.3	32.6	13.1	34.3	14.1	35.5	15.4	36.7	17.3	37.5	19.5	38.1	21.0
	10			28.8	14.7	31.2	15.4	33.2	16.8	34.7	17.7	36.0	19.6	37.0	21.9	37.7	23.4
	12					29.9	17.8	32.2	18.8	33.9	20.1	35.4	22.0	36.5	24.2	37.3	25.7
	14					28.6	20.1	31.2	21.2	33.1	22.4	34.8	24.3	36.0	26.6	36.9	28.1
	16							30.7	23.5	32.6	24.8	34.5	26.7	35.8	28.9	36.7	30.4
800-80	2	46.3	5.6	48.1	6.4	49.3	7.2	50.3	8.4	51.0	9.8	51.7	11.9	52.1	14.4	52.5	16.1
	4	41.2	8.7	44.3	9.5	46.3	10.4	47.9	11.6	49.1	12.9	50.2	15.0	51.0	17.6	51.6	19.3
	6			40.9	12.7	43.6	13.5	45.9	14.7	47.5	16.1	49.0	18.2	50.1	20.7	50.8	22.4
	8					41.2	16.7	44.0	17.8	46.0	19.2	47.9	21.3	49.2	23.9	50.1	25.5
	10							42.2	21.0	44.6	22.3	46.8	24.5	48.4	27.0	49.5	28.7
1400-38	2	33.9	4.0	34.8	9.0	35.4	5.2	35.9	6.1	36.3	7.1	36.6	8.7	36.8	10.6	37.0	11.9
	4	31.3	6.2	32.8	11.2	33.8	7.5	34.0	8.3	35.3	9.3	35.7	10.9	36.3	12.8	36.6	14.1
	6	29.0	8.4	31.1	13.4	32.5	9.6	33.6	10.5	34.5	11.5	35.2	13.1	35.8	15.0	36.2	16.3
	8	26.9	10.6	29.5	15.6	31.2	11.9	32.7	12.7	33.7	13.7	34.7	15.3	35.3	17.2	35.8	18.5
	10	24.9	12.8	28.0	17.8	30.1	14.1	31.7	14.9	33.0	15.9	34.1	17.5	34.9	19.4	35.5	20.7
	12	23.1	15.0	26.6	20.0	28.9	16.3	30.9	17.1	32.3	18.2	33.6	19.7	34.5	21.6	35.1	22.9
	14					27.9	18.5	30.0	19.3	31.6	20.4	33.1	21.9	34.1	23.8	34.8	25.1
	16					27.3	20.7	29.6	21.5	31.3	22.6	32.8	24.1	33.9	26.0	34.7	27.7
	18					26.4	22.9	28.9	23.7	30.7	24.8	32.4	26.3	33.6	28.2	34.4	29.5
	20							28.2	25.9	30.1	27.0	32.0	28.5	33.2	30.4	34.1	31.7
	22							27.5	28.1	29.6	29.2	31.6	30.7	32.9	32.6	33.9	33.9
	24									29.1	31.4	31.2	32.9	32.6	34.8	33.7	36.1
1400-50	2	45.3	4.9	46.3	5.6	47.0	6.3	47.6	7.3	48.0	8.5	48.3	10.2	48.6	12.4	48.8	13.8
	4	42.3	7.8	44.1	8.5	45.2	9.2	46.2	10.2	46.9	11.4	47.5	13.1	48.0	15.2	48.3	16.7
	6	39.8	10.7	42.2	11.4	43.7	12.1	45.0	13.1	45.9	14.2	46.8	16.0	47.4	18.1	47.9	19.6
	8	37.4	13.6	40.4	14.3	42.3	15.0	43.9	16.0	45.1	17.1	46.2	18.9	46.9	21.0	47.5	22.4
	10			38.7	17.2	41.0	17.9	42.9	18.9	44.3	20.0	45.5	21.8	46.4	23.9	47.1	25.3
	12			37.1	20.1	39.7	20.8	41.9	21.8	43.5	22.9	45.0	24.7	46.0	26.8	46.7	28.2
	14					38.5	23.7	41.0	24.7	42.7	25.8	44.4	27.6	45.6	29.7	46.4	31.1
	16							40.5	27.6	42.3	28.7	44.1	30.5	45.3	32.6	46.2	34.0
	18							39.7	30.5	41.7	31.6	43.6	33.4	44.9	35.5	45.9	36.9
	20									41.1	34.5	43.1	36.3	44.6	38.4	45.6	39.8
1400-75	2	67.6	6.8	69.3	7.6	70.3	8.4	71.2	9.6	71.9	11.0	72.5	13.1	72.9	15.6	73.2	17.3
	4	63.1	11.1	65.9	11.9	67.6	12.8	69.1	14.0	70.2	15.3	71.2	17.5	71.9	20.0	72.4	21.7
	6	59.1	15.5	62.8	16.3	65.2	17.1	67.3	18.3	68.7	19.7	70.1	21.8	71.0	24.3	71.7	26.0
	8			60.1	20.6	63.1	21.5	65.6	22.7	67.4	24.0	68.7	26.1	70.2	28.7	71.1	30.4
	10			57.5	25.0	61.0	25.8	64.0	27.0	66.1	28.4	67.5	30.5	69.5	33.0	70.5	34.7
	12					59.1	30.2	62.5	31.3	64.9	32.7	66.2	34.8	68.8	37.4	69.9	39.0
	14							61.0	35.7	63.7	37.1	65.5	39.2	68.1	41.7	69.4	43.4
	16									63.1	41.4	64.5	43.5	67.7	46.1	69.1	47.7
1400-96	2	84.6	8.3	87.2	9.2	88.9	10.1	90.2	11.4	91.2	13.0	92.2	15.3	92.8	18.2	93.3	20.0
	4	77.5	13.9	81.8	14.7	84.6	15.7	86.9	17.0	88.6	18.6	90.2	20.9	91.3	23.7	92.1	25.6
	6					80.9	21.3	84.0	22.6	86.3	24.1	88.4	26.5	89.9	29.3	91.0	31.2
	8									84.2	29.7	86.8	32.0	88.7	34.6	90.0	36.7
	10									82.2	35.2	85.3	37.6	87.5	40.4	89.1	42.3

转速 Speed $n=950r/min$

规格 Size	压力 ΔP bar	粘度 Viscosity (mm^2/s)															
		1		15		35		75		150		350		750		1500	
		流量 (M^3/h)	功率 (Kw)	流量 (M^3/h)	功率 (Kw)	流量 (M^3/h)	功率 (Kw)	流量 (M^3/h)	功率 (Kw)	流量 (M^3/h)	功率 (Kw)	流量 (M^3/h)	功率 (Kw)	流量 (M^3/h)	功率 (Kw)	流量 (M^3/h)	功率 (Kw)
2500-43	2	54.0	6.8	55.4	7.9	56.4	9.0	57.2	10.6	57.7	12.5	58.3	15.3	58.6	18.7	58.9	21.0
	4	50.0	10.3	52.4	11.4	53.9	12.5	55.3	14.1	56.3	16.0	57.1	18.8	57.8	22.2	58.2	24.5
	6	46.4	13.8	49.7	14.9	51.8	16.0	53.6	17.6	54.9	19.5	56.2	22.3	57.0	25.7	57.6	28.0
	8	43.1	17.3	47.2	18.4	49.9	19.5	52.1	21.1	53.7	23.0	55.2	25.8	56.3	29.3	57.0	31.5
	10	40.1	20.8	44.9	21.9	48.1	23.1	50.7	24.6	52.6	26.5	54.4	29.3	55.6	32.8	56.5	35.0
	12	37.1	24.3	42.7	25.4	46.3	26.6	49.3	28.1	51.5	30.0	53.6	32.9	55.0	36.3	56.0	38.5
	14	34.3	27.8	40.6	28.9	44.7	30.1	48.1	31.6	50.5	33.5	52.8	36.4	54.4	39.8	55.5	42.0
	16			39.4	32.4	43.7	33.6	47.3	35.1	49.9	37.0	52.4	39.9	54.0	34.3	55.3	45.5
	18			37.6	35.9	42.3	37.1	46.2	38.7	49.0	40.5	51.7	43.4	53.5	46.8	54.9	49.0
	20			35.9	39.4	40.9	40.6	45.1	42.2	48.2	44.0	51.0	46.9	53.0	50.3	54.5	52.5
	22					39.6	44.1	44.1	45.7	47.4	47.5	50.4	50.4	52.5	53.8	54.1	56.1
24							43.1	49.2	46.5	51.0	49.8	53.9	52.1	57.3	53.7	59.6	
2500-56	2	70.3	8.2	72.2	9.4	73.4	10.7	74.5	12.4	75.2	14.4	75.9	17.6	76.4	21.4	76.7	23.9
	4	65.1	12.8	68.2	13.9	70.3	15.2	72.0	17.0	73.3	19.7	74.4	22.2	75.2	25.9	75.8	28.4
	6	60.4	17.3	64.7	18.5	67.5	19.8	69.9	21.5	71.6	23.6	73.1	26.7	74.2	30.5	75.0	33.0
	8	56.2	21.9	61.5	23.1	65.0	24.4	67.9	26.1	70.0	28.1	71.9	31.3	73.3	35.1	74.3	37.6
	10	52.2	26.5	58.5	27.6	62.6	28.9	66.0	30.7	68.5	32.7	74.8	35.9	72.4	39.6	73.6	42.1
	12			55.7	32.2	60.4	33.5	64.3	32.2	67.1	37.3	69.8	40.4	71.6	44.1	73.0	46.7
	14					58.2	38.0	62.6	39.8	65.8	41.8	68.8	45.0	70.8	48.8	72.3	51.3
	16							61.7	44.4	65.0	46.4	68.2	49.6	70.4	53.3	72.0	55.8
	18									63.9	51.0	67.3	54.1	69.7	57.9	71.4	60.4
	20									62.8	55.5	66.5	58.7	69.0	62.5	70.9	64.9
	2500-85	2	106.6	11.2	109.5	12.6	111.4	14.1	113.0	16.1	114.1	18.5	115.2	22.2	115.9	26.6	116.5
4		98.5	18.1	103.3	19.5	106	21.0	109.2	23.0	111.1	25.4	112.9	29.1	114.2	33.6	115.1	36.5
6		91.4	25.1	98.0	26.4	104	27.9	105.9	30.0	108.5	32.4	110.9	36.1	112.6	40.5	113.8	43.4
8				93.1	33.4	102.3	34.9	102.9	36.9	106.1	39.3	109.1	43.0	111.2	47.4	112.7	50.3
10						98.4	41.8	100.0	43.8	103.8	46.2	107.4	49.9	109.9	54.3	111.7	57.3
12						94.8	45.2	97.3	50.8	101.7	53.2	105.8	56.9	108.6	61.3	110.7	64.2
14										99.6	60.1	104.2	63.8	107.4	68.2	109.7	71.1
16										98.5	67.0	103.4	70.7	106.7	75.1	109.2	78.1
2500-112	2	141.2	14.1	144.9	15.7	147.2	17.4	149.2	19.8	150.6	22.6	152.0	26.9	152.9	32.0	153.5	35.4
	4	131.1	23.2	137.2	24.8	141.2	26.5	144.5	28.9	146.9	31.7	149.1	36.0	150.7	41.1	151.8	44.5
	6			130.5	33.9	135.9	35.7	140.4	38.0	143.6	40.8	146.6	45.1	148.8	50.2	150.3	53.6
	8							136.6	47.2	140.6	49.9	144.4	54.2	147.0	59.4	148.9	62.8
	10									137.8	59.1	142.2	63.4	145.3	68.5	147.5	71.9
4200-50	2	98.4	13.1	100.2	15.4	101.4	17.8	102.4	21.1	103.1	25.0	103.7	31.1	104.2	38.2	104.5	43.0
	4	93.3	19.3	96.4	21.6	98.3	24.0	100.0	27.3	101.2	31.2	102.3	37.2	103.1	44.4	103.7	49.2
	6	88.9	25.5	93.0	27.8	95.7	30.2	97.9	33.5	99.6	37.4	101.1	43.4	102.1	50.6	102.9	55.4
	8	84.8	31.7	89.9	33.9	93.3	36.4	96.0	39.7	98.1	43.6	99.9	49.6	101.3	56.8	102.2	61.6
	10	81.0	37.9	87.0	40.1	90.9	42.6	94.3	45.9	96.6	49.8	98.9	55.8	100.4	63.0	101.5	67.7
	12	77.3	44.1	87.3	46.3	88.8	48.8	92.6	52.1	95.3	56.0	97.9	62.0	99.6	69.2	100.9	73.9
	14	73.8	50.3	81.6	52.5	86.7	54.9	91.0	58.3	94.0	62.1	96.9	68.2	98.9	75.4	100.3	80.1
	16	71.9	56.4	80.2	58.7	85.6	61.1	90.0	64.4	93.3	68.3	96.3	74.4	98.5	81.5	100.0	86.3
	18	68.9	62.6	77.9	64.5	83.8	67.3	88.7	70.6	92.2	74.5	95.5	80.1	97.8	87.7	99.5	92.5
	20			75.7	71.1	82.0	73.5	87.3	76.8	91.1	80.7	94.7	86.7	97.2	93.9	99.0	98.7
	22					80.3	79.7	86.0	83.0	90.1	86.9	93.9	92.9	96.6	100.1	98.5	104.9
	24							84.7	89.2	89.1	93.1	93.1	99.1	96.0	106.3	98.0	111.1

转速 Speed $n=950r/min$

规格 Size	压力 ΔP bar	粘度 Viscosity (mm^2/s)															
		1		15		35		75		150		350		750		1500	
		流量 (M^3/h)	功率 (Kw)	流量 (M^3/h)	功率 (Kw)	流量 (M^3/h)	功率 (Kw)	流量 (M^3/h)	功率 (Kw)	流量 (M^3/h)	功率 (Kw)	流量 (M^3/h)	功率 (Kw)	流量 (M^3/h)	功率 (Kw)	流量 (M^3/h)	功率 (Kw)
4200-67	2	132	16	134	18	136	21	137	24	138	28	139	34	139	42	140	47
	4	125	24	129	26	132	29	134	32	135	36	137	43	138	50	139	55
	6	120	32	125	35	128	37	131	44	133	45	135	51	137	59	138	64
	8	114	40	121	43	125	45	129	49	131	53	134	59	135	67	137	72
	10	109	49	117	51	122	54	126	57	130	61	132	68	134	75	136	80
	12	105	57	114	59	119	62	124	65	128	70	131	76	133	83	135	88
	14	100	65	110	68	117	70	122	74	126	78	130	84	132	92	134	97
	16			108	76	115	79	121	82	125	86	129	92	132	100	134	105
	18			106	84	113	87	119	90	124	94	128	101	131	108	133	113
	20					111	95	118	99	122	103	127	109	130	117	133	122
4200-100	2	194	20	198	23	201	25	203	29	205	34	206	40	207	48	208	54
	4	182	33	189	35	194	38	197	42	200	46	203	53	205	61	206	66
	6	171	45	181	47	187	50	193	54	196	58	200	65	203	73	204	79
	8	162	57	174	60	181	63	188	66	193	71	197	77	200	86	203	91
	10	153	70	167	72	176	75	184	79	189	83	195	90	198	98	201	103
	12			160	85	171	87	180	91	186	95	192	102	197	110	200	116
	14					166	100	176	103	183	108	190	115	195	123	198	128
	16							174	116	182	120	189	127	189	135	197	104
4200-128	2	242	24	249	27	254	30	257	34	260	39	262	46	262	55	265	61
	4	223	40	235	43	242	46	248	50	253	55	257	62	257	74	262	77
	6	207	56	222	59	232	62	241	66	247	71	252	78	252	87	259	93
	8	191	72	211	75	223	78	234	82	241	87	248	94	248	103	257	109
	10			200	91	214	94	227	98	236	102	244	110	244	119	254	124
7000-80	2	244	35	245	20	246	22	246	22	247	25	248	30	248	35	248	42
	4	232	47	233	35	235	38	235	38	236	45	237	54	237	63	238	75
	6	222	57	225	47	226	50	226	50	228	67	230	74	230	90	231	102
	8	212	70	215	57	218	60	218	60	221	85	223	98	223	113	225	127
	10	200	80	205	71	210	75	210	75	213	103	215	120	215	136	217	153
	12	185	86	193	82	200	86	200	86	205	118	208	137	208	156	210	177
	14			185	100	192	105	192	105	200	133	203	153	203	176	205	197
	16			176	110	184	117	184	117	189	147	192	170	192	193	195	217
	18					170	128	170	128	179	157	172	180	172	205	175	230
	20					153	135	162	135	165	160	168	182	168	208	172	233
	22							148	140	150	164	154	184	154	210	160	237
	24							123	145	127	168	130	186	130	213	140	240
7000-100	2	310	25	312	25	313	27	313	27	314	32	316	37	316	43	320	52
	4	292	42	294	42	295	45	295	45	297	58	300	68	300	77	302	90
	6	282	57	284	57	285	60	285	60	287	83	290	96	290	110	292	125
	8	270	72	273	73	275	77	275	77	277	106	280	124	280	141	283	160
	10	258	86	262	87	265	82	265	82	268	130	270	150	270	170	273	190
	12	248	100	252	102	255	107	255	107	258	150	260	173	260	197	263	220
	14			235	124	238	130	238	130	246	167	250	193	250	220	253	247
	16			218	136	223	145	223	145	233	187	235	213	235	242	238	270
	18					216	162	215	162	227	200	230	228	230	260	233	293
	20					197	167	208	167	210	220	212	233	212	266	215	300
7000-128	2	393	30	396	31	398	33	398	33	400	40	402	47	402	55	405	66
	4	376	52	380	53	382	55	382	55	385	75	387	87	387	100	390	110
	6	363	72	366	73	370	75	370	75	375	107	377	125	377	141	380	160
	8	350	92	354	94	358	97	358	97	362	138	365	160	365	183	368	207
	10	333	110	338	112	343	115	343	115	355	167	358	193	358	220	360	247
	12	320	128	324	130	330	135	330	135	333	193	336	224	336	256	340	287
	14			300	160	310	166	310	166	313	213	316	246	316	280	320	317
	16					280	193	280	193	285	233	290	270	290	306	295	347



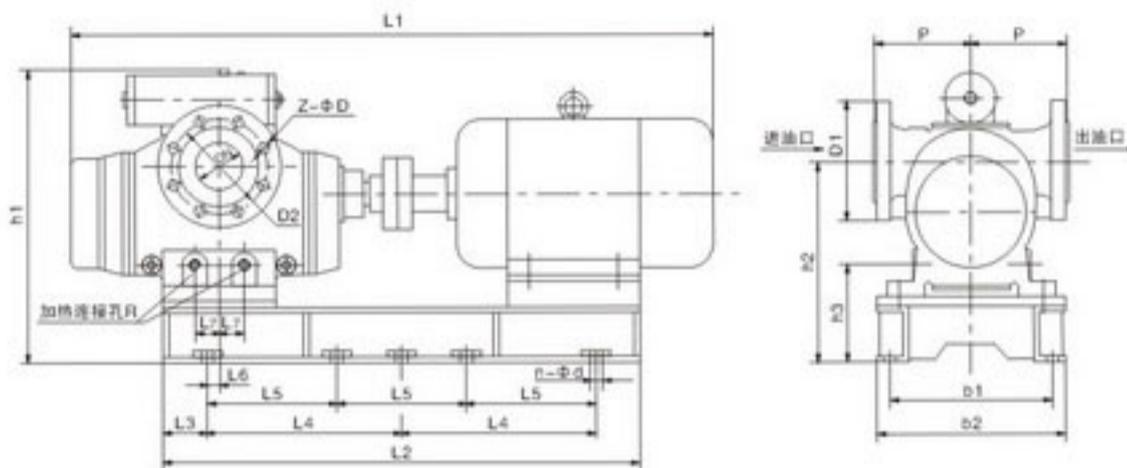
转速 Speed n=950r/min

规格 Size	压力 ΔP bar	粘度 Viscosity (mm ² /s)															
		1		15		35		75		150		350		750		1500	
		流量 (M ³ /h)	功率 (Kw)	流量 (M ³ /h)	功率 (Kw)	流量 (M ³ /h)	功率 (Kw)	流量 (M ³ /h)	功率 (Kw)	流量 (M ³ /h)	功率 (Kw)	流量 (M ³ /h)	功率 (Kw)	流量 (M ³ /h)	功率 (Kw)	流量 (M ³ /h)	功率 (Kw)
7000-150	2	473	37	476	38	478	40	478	40	483	48	484	57	484	68	488	80
	4	443	62	448	64	450	66	450	66	455	88	456	103	456	118	460	135
	6	406	85	414	88	418	90	418	90	425	124	427	145	427	165	430	187
	8	380	107	388	110	392	113	392	113	395	160	402	186	402	213	405	240
	10	333	128	346	130	350	135	350	135	360	193	370	224	370	253	375	290
9800-80	2	367	49	369	54	371	59	372	65	373	73	374	81	374	87	375	97
	4	359	70	362	75	365	80	367	86	369	95	370	102	371	108	372	118
	6	352	91	356	96	359	102	362	108	365	116	367	123	368	129	369	139
	8	345	112	350	117	355	123	358	129	361	137	364	145	365	150	367	160
	10	339	133	345	138	350	144	354	150	358	158	361	166	362	172	365	181
	12	333	154	340	159	346	165	350	171	355	179	358	187	360	193	362	203
	14	327	175	335	180	341	186	347	192	352	200	355	208	357	214	360	224
	16	322	197	330	201	337	207	343	213	349	221	353	229	355	235	358	245
	18	316	218	326	222	334	228	340	234	346	242	350	250	353	256	356	266
	20			321	244	330	249	336	255	343	263	348	271	351	277	354	287
	22					326	270	333	276	340	285	345	292	348	298	352	308
24					323	292	330	298	338	306	343	313	346	319	351	329	
9800-100	2	441	58	443	64	445	70	447	77	448	87	449	96	450	103	451	115
	4	431	83	434	89	438	96	440	103	443	112	444	121	445	128	447	140
	6	442	109	427	114	431	121	434	128	438	138	440	147	442	154	443	165
	8	413	134	419	140	425	146	429	153	433	163	436	172	438	179	440	191
	10	405	159	413	165	419	172	427	179	429	188	433	198	435	204	437	216
	12	398	185	406	190	414	197	419	204	425	214	429	223	432	230	435	241
	14	391	210	400	216	409	223	415	230	421	239	426	248	429	255	432	297
	16	384	236	394	241	404	248	411	255	418	264	426	274	426	281	430	292
	18			389	267	399	273	406	280	414	290	420	299	423	306	427	318
	20			383	292	394	299	402	306	411	315	417	324				
	22					389	324	398	331	407	341						
24					385	349	394	356									
9800-128	2	513	67	516	74	519	81	521	89	523	100	524	111	525	119	526	132
	4	500	97	505	103	509	111	512	119	515	130	518	141	519	148	521	162
	6	489	126	495	133	501	141	505	149	509	160	512	170	514	178	517	191
	8	478	156	486	162	493	170	495	178	504	189	507	200	510	208	513	221
	10	468	186	478	192	486	200	492	208	495	219	503	229	505	237	509	251
	12	459	215	469	222	479	229	486	238	493	248	498	259	501	267	506	280
	14	450	245	462	251	472	259	480	267	488	278	494	289	495	297	502	310
	16			454	281	466	289	475	297	484	308	490	318	494	326	499	340
	18			447	311	460	318	470	326	479	337						
	20					454	348	464	356								
	22																
24																	
9800-150	2	660	87	664	95	667	105	669	115	672	129	673	143	674	153	676	170
	4	643	125	649	133	654	143	658	153	663	168	665	181	667	191	669	209
	6	628	163	636	171	644	181	649	191	655	206	659	219	661	229	664	247
	8	615	201	625	209	634	219	641	230	647	244	652	257	655	267	659	285
	10	602	239	614	247	624	257	632	268	641	282	646	295	650	306	654	323
	12	590	277	603	285	616	295	625	306	634	320	641	333	645	344	650	361
	14			593	323	607	333	617	344	628	358						
9800-160	2							828	69	855	76	864	84	874	93		
	4							792	132	810	145	820	160	837	176		
	6							756	189	783	208	792	230	810	253		
	8							720	240	756	264	762	290	783	320		
	10							675	280	720	308	729	340	748	375		
	12							630	302	675	332	693	365	720	402		
	14									632	389	657	430	675	473		
16											610	490	620	540			

转速 Speed $n=950r/min$

规格 Size	压力 ΔP bar	粘度 Viscosity(mm ² /s)															
		1		15		35		75		150		350		750		1500	
		流量 m ³ /h	功率 KW	流量 m ³ /h	功率 KW	流量 m ³ /h	功率 KW	流量 m ³ /h	功率 KW	流量 m ³ /h	功率 KW	流量 m ³ /h	功率 KW	流量 m ³ /h	功率 KW	流量 m ³ /h	功率 KW
18000-176	0	1133		1167		1187		1200		1210		1213		1217		1220	
	2	1020	74	1097	85	1115	91	1152	99	1161	109	1165	119	1193	133	1195	143
	4	963	140	1050	161	1068	173	1104	129	1113	209	1116	229	1144	254	1147	275
	6	906	200	1003	233	1021	243	1056	259	1065	279	1068	301	1095	335	1098	350
	8	850	250	969	301	985	312	1020	333	1029	360	1031	387	1055	431	1061	451
	10			933	359	949	369	984	391	992	413	995	434	1022	487	1025	508
	12					925	432	960	457	968	484	971	509	998	570	1001	595
	16					902	561	936	594	944	629	947	661	973	741	976	775
18000-192	0	1233		1267		1301		1333		1347		1353		1357		1360	
	2	1110	81	1191	91	1223	99	1280	109	1293	121	1299	133	1329	148	1333	159
	4	1049	153	1140	175	1171	190	1227	210	1239	233	1245	255	1275	283	1297	306
	6	987	217	1089	253	1119	266	1173	287	1185	311	1191	335	1221	374	1224	390
	8	925	257	1051	327	1080	342	1133	370	1145	400	1151	433	1180	482	1183	503
	10			1013	382	1041	401	1093	434	1104	460	1110	485	1139	543	1143	567
	12					1015	469	1067	508	1077	539	1083	567	1113	636	1115	664
	16					989	615	1040	660	1051	701	1055	737	1085	827	1088	863
18000-224	0	1500		1533		1567		1600		1613		1620		1623		1627	
	2	1350	112	1440	118	1473	123	1533	131	1547	144	1553	159	1590	171	1593	184
	4	1273	214	1380	227	1410	239	1473	252	1487	277	1490	305	1527	327	1530	353
	6	1200	310	1320	327	1347	334	1407	345	1420	369	1427	397	1460	431	1463	448
	8	1123	400	1273	423	1300	431	1360	445	1373	476	1377	511	1413	556	1417	578
	10			1227	495	1253	505	1313	521	1323	547	1327	573	1380	625	1383	651
	12					1207	592	1280	610	1293	640	1297	671	1330	732	1333	762
	16					1191	777	1248	793	1259	832	1263	872	1299	951	1301	991
18000-250	0	1667		1700		1720		1733		1747		1753		1757		1760	
	2	1500	125	1600	128	1633	135	1664	142	1677	156	1697	171	1720	185	1723	199
	4	1417	239	1530	245	1563	259	1593	272	1607	299	1627	327	1650	353	1650	381
	6	1333	337	1460	355	1497	365	1527	374	1537	400	1558	430	1580	467	1583	486
	8	1250	433	1410	457	1445	469	1473	484	1483	515	1503	553	1527	602	1530	626
	10			1360	535	1393	549	1420	563	1433	591	1460	620	1493	676	1497	704
	12					1359	643	1387	660	1400	693	1420	727	1440	792	1443	825
	16					1307	833	1347	855	1360	898	1380	940	1403	1027	1407	1069

3、2HE、M型系列双吸双螺杆泵机组安装尺寸
Installation dimensions of 2HE、M Series double-absorb twin screw pump

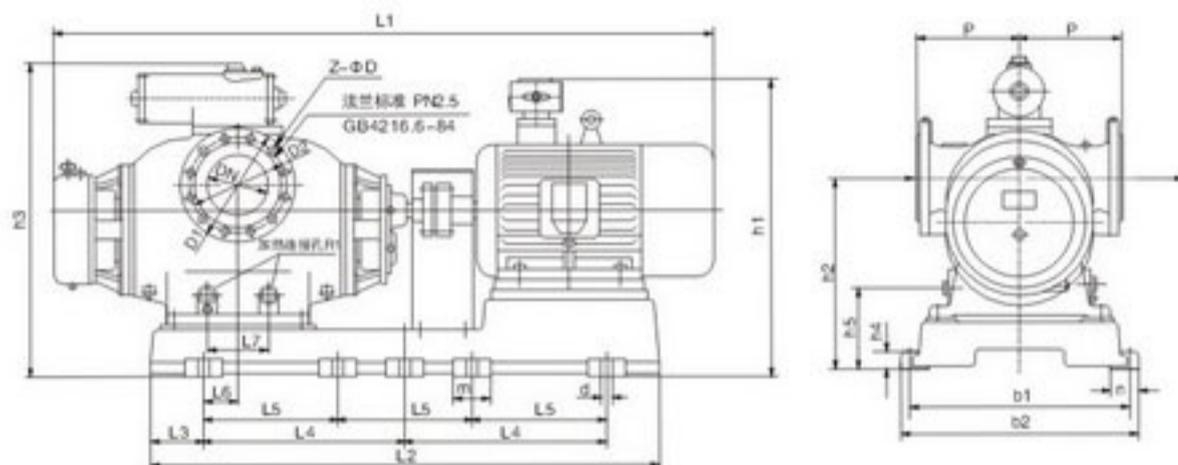


泵型号 Type	电机 Motor	机组安装尺寸 Installing dimension											加热尺寸 Heating		进出口法兰 Suction & delivery flange						
		L1	L2	L3	L4	L5	L6	b1	b2	n-d	p	h1	h2	h3	L7	Rx	DN	D1	D2	D	Z
280	Y132	1198	815	107	600	-	0	270	300	4-14	160	502	317	160	38	G1/2"	80	200	160	18	8
	Y160	1328	942	121	700	-	0	290	330	4-14	160	522	337	177							
	Y180	1353	985	118	750	-	0	320	360	4-14	160	546	361	204							
560	Y132	1259	900	130	320	-	0	260	300	4-20	180	616	390	201	48	G1/2"	100	235	190	23	8
	Y160	1389	1025	112	400	-	18	340	385	4-20	180	616	390	201							
	Y180	1454	1070	130	400	-	0	340	385	4-20	180	616	390	201							
800	Y160	1483	1090	105	440	-	35	320	360	4-20	210	696	400	186	55	G3/4"	125	270	220	27	8
	Y180	1552	1135	130	440	-	10	320	360	4-20	210	696	400	186							
	Y200	1617	1175	88	500	-	50	400	440	6-20	210	720	425	210							
	Y225	1687	1206	63	540	-	80	400	440	6-20	210	720	425	210							
1400	Y180	1654	1220	210	400	-	35	340	385	4-20	230	786	476	216	72.5	G1"	150	300	250	27	8
	Y200	1749	1261	130	500	-	45	360	400	6-20	230	786	476	216							
	Y225	1789	1320	80	580	-	95	420	460	6-20	230	790	480	220							
	Y250	1882	1388	94	-	400	86	454	500	8-18	230	815	505	245							
	Y280	1944	1510	80	-	450	95	500	550	8-25	230	845	535	275							
2500	Y200	1899	1387	113	580	-	90	450	490	6-20	270	900	535	240	85	G1"	200	360	310	27	12
	Y225	1969	1446	143	580	-	60	450	490	6-20	270	900	535	240							
	Y250	2054	1512	106	650	-	95	450	490	6-20	270	920	555	260							
	Y280	2174	1634	117	700	-	80	520	560	6-20	270	920	555	260							
	Y315	2346	1750	155	-	480	45	625	670	8-25	270	940	575	280							
4200	Y250	2238	1650	75	-	500	160	520	560	8-25	325	1045	660	295	100	G1"	250	425	370	30	12
	Y280	2358	1770	75	-	515	160	545	590	8-25	325	1045	660	295							
	Y315	2528	1876	158	-	520	75	625	670	8-25	325	1045	660	295							
7000	Y280	2475	1885	72	-	580	200	545	590	8-24	390	1115	700	325	150	G1"	300	460	410	25	12
	Y315	2864	1995	158	-	560	110	620	670	8-24	390	1135	720	345							
9800	Y280	2556	2475	175	-	700	405	680	740	8-30	440	1305	825	345	150	G1"	400	580	525	30	16
	Y315	2834	2650	250	-	700	330	680	740	8-30	440	1325	845	365							
	Y355L	3147	2323	165	-	650	185	710	760	8-24	440	1225	860	460							
18000	Y500	4460	3400	200	-	1000	170	1130	1200	8-27	500	1450	960	360	270	G1 1/2"	500/ 450	715/ 640	650/ 585	30	20
	Y560	4554	3550	200	-	1000	65	940	1100	8-27	500	1520	960	360							

根据实际要求功率的配置待合同生效后，本公司提供详细认可图。
 According to the actual requirements of the contract to be the configuration of power after the entry into force, the Company approved plans to provide details.

4、2HR 系列双螺杆泵机组安装尺寸

Installation dimensions of bi-absorb twin screw pump



泵型号 Type	电机 Motor	机组安装尺寸 Installing dimension																加热尺寸 Heating			进出口法兰 Suction & delivery flange				
		L1	L2	L3	L4	L5	L6	b1	b2	m	d	n	P	h1	h2	h3	h4	h5	L7	R1	DN	D1	D2	D	Z
280	Y112M	1205	900	80	370	-	0	355	400	70	20	55	160	548	305	495	26	135	76	G1/2"	80	200	160	18	8
	Y132	1320	900	80	370	-	0	355	400	70	20	55	160	598	305	495	26	135							
	Y160	1450	1010	80	425	-	0	430	475	70	20	55	160	630	305	495	26	135							
	Y180M	1475	1010	80	425	-	0	430	475	70	20	55	160	645	305	495	26	135							
560	Y132	1389	970	90	395	-	45	375	420	75	20	60	180	643	355	589	30	165	96	G1/2"	100	235	190	23	8
	Y160	1519	1120	90	470	-	45	430	475	75	20	60	180	675	355	589	30	165							
	Y180	1584	1120	90	470	-	45	430	475	75	20	60	180	690	355	589	30	165							
800	Y160	1625	1230	100	515	-	55	450	500	80	25	65	210	700	390	684	35	175	110	G3/4"	125	270	220	27	8
	Y180	1690	1230	100	515	-	55	450	500	80	25	65	210	715	390	684	35	175							
	Y200L	1755	1320	100	560	-	55	520	570	80	25	65	210	755	390	684	35	175							
	Y225	1825	1320	100	560	-	55	520	570	80	25	65	210	775	390	684	35	175							
1400	Y160	1768	1350	120	555	-	75	470	520	80	25	70	230	750	450	756	35	190	140	G1"	150	300	250	27	8
	Y180	1833	1350	120	555	-	75	470	520	80	25	70	230	765	450	756	35	190							
	Y200L	1891	1430	120	595	-	75	520	570	80	25	70	230	805	450	756	35	190							
	Y225	1968	1430	120	595	-	75	520	570	80	25	70	230	825	450	756	35	190							
	Y250M	2055	1510	95	-	440	100	490	540	80	25	60	230	960	510	816	25	250							
	Y280S	2125	1570	110	-	450	85	530	580	80	25	60	230	1000	520	826	25	260							
2500	Y180	2010	1540	150	620	-	70	570	620	90	25	75	270	825	515	881	40	220	170	G1"	200	360	310	27	12
	Y200L	2075	1540	150	620	-	70	570	620	90	25	75	270	865	515	881	40	220							
	Y225	2145	1670	150	685	-	70	590	640	90	25	75	270	885	515	881	40	220							
	Y250M	2230	1670	150	685	-	70	590	640	90	25	75	270	960	515	881	40	220							
	Y280	2350	1750	110	-	510	110	550	600	100	25	60	270	1040	565	931	25	270							
	Y315S	2522	1805	115	-	525	105	620	670	100	25	60	270	1195	565	931	25	270							
4200	Y225	2343	1705	110	-	495	145	545	600	120	25	65	325	1030	670	1061	26	305	200	G1"	250	425	370	30	12
	Y250M	2428	1765	110	-	515	145	545	600	120	25	65	325	1105	670	1061	26	305							
	Y280	2548	1890	150	-	530	105	545	600	120	25	65	325	1135	670	1061	26	305							
	Y315S	2720	1945	155	-	545	100	625	680	120	25	65	325	1290	670	1061	26	305							
7000	Y280	2575	1985	122	-	580	200	545	590	120	24	70	390	1155	700	1115	26	325	300	G1"	300	460	410	25	12
	Y315	2964	2095	208	-	560	110	620	670	120	24	70	390	1190	720	1135	26	345							
9800	Y250M	2719	2472	140	-	730	440	680	740	120	30	75	395	1225	825	1305	26	345	300	G1"	400	580	525	30	16
	Y280	2844	2567	175	-	730	405	680	740	120	30	75	395	1255	825	1305	26	345							
	Y315	3122	2742	250	-	730	330	680	740	120	30	80	395	1410	845	1325	26	365							
18000	Y500	4610	3600	275	-	1000	170	1130	1200	120	27	150	500	1480	960	1450	30	360	540	G1 1/2"	500/450	715/640	650/585	30	20
	Y560	4704	3750	275	-	1000	65	940	1100	120	27	150	500	1570	960	1520	30	360							